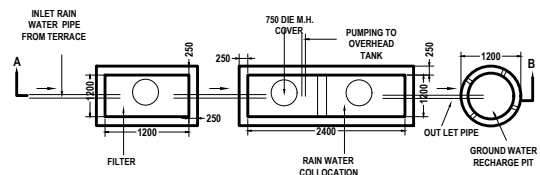
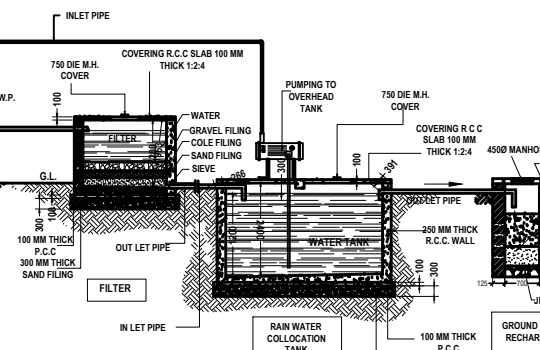


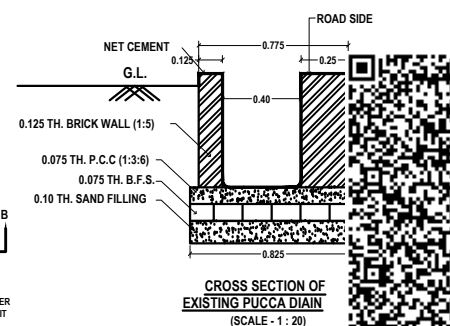
**CROSS SECTION OF BUILDING**  
SCALE - ( 1 : 100 )



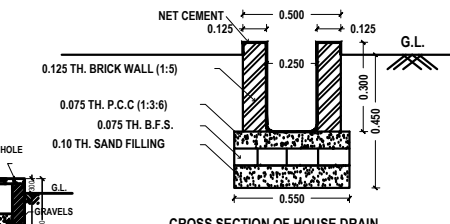
**PLAN OF RAINWATER HARVESTING**  
SCALE - ( 1 : 100 )



**CROSS SECTION AT A-B**  
SCALE - ( 1 : 100 )



**CROSS SECTION OF EXISTING PUCCA DIAIN**  
SCALE - 1 : 20



**CROSS SECTION OF HOUSE DRAIN**  
SCALE - 1 : 20

**TITLE :**  
THE PLAN SHOWING FOR WATER SUPPLY & DRAINAGE AND THE CONSTRUCTION OF PROPOSED ROOF TOP RAIN WATER HARVESTING



ED G+4  
MT. SIKHA  
BHUSAN  
J.L. NO-  
18 (PART),  
207 & 536  
1264, AT  
WARD NO.-  
PASCHIM  
DNAPORE

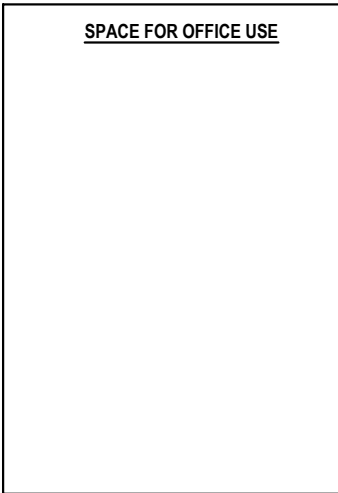
ASSIGN IN FAVOUR OF 'S.S. DEVELOPER' PROP. 1) SRI SOMNATH SINGHA ROY, S/O.- LATE BASUDEB SINGHA ROY, 2) SRI SOUMEN SAMANTA, S/O.- LATE BALAI SAMANTA, OF P.O.+P.S.- MIDNAPORE, PIN.- 721101, DIST.- PASCHIM MIDNAPORE.

**REFERENCE**

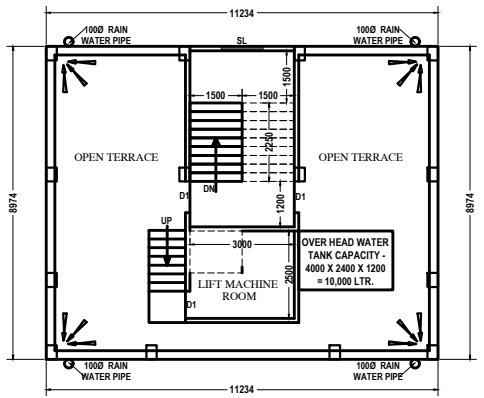
PLOT LINE	
EX.DRAIN	
PROP. DRAIN	
EXL. ROAD	
WATER SUPPLY LINE	
DRAINAGE & SEWERAGE WORK	
ELECTRIC POST	
WATER TAP	



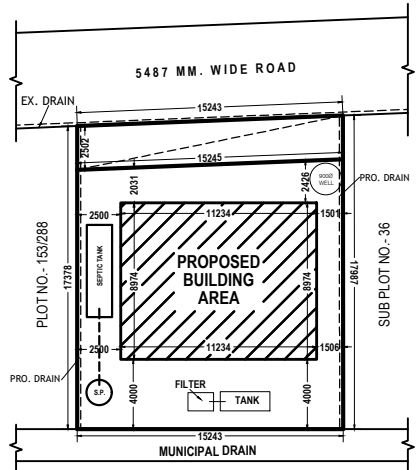
**NOTE:-**  
ALL DIMENSION ARE IN MM.  
WATER TO BE SUPPLIED IN TO THE HOUSE FROM WELL THROUGH OVER HEAD TANK BY 1 HP Z-PUMP.



**SPACE FOR OFFICE USE**



**TERRACE PLAN**  
SCALE - ( 1 : 100 )



**SITE PLAN**  
SCALE - ( 1 : 200 )  
DIMENSION ARE IN MM.